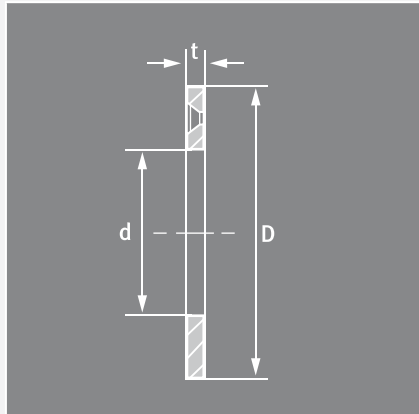


All sizes and measurements are produced to customers specification

SWB/A = Thrust washer



SWB/S = Stripes & Plates

