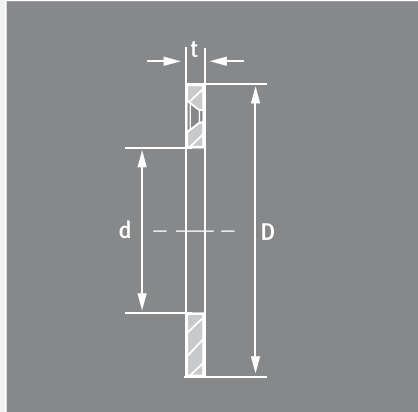


All sizes and measurements are produced to customers specification.

SWB/A = Thrust washer



SWB/S = Stripes & Plates

