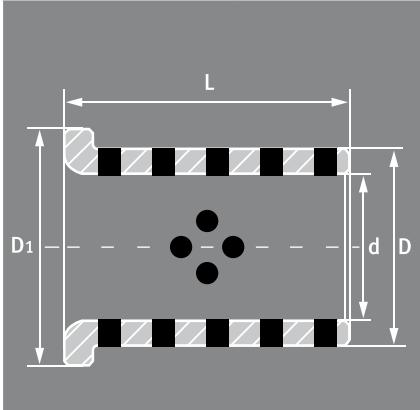


LMZ = Cylindrical bushing LMB = Flanged bushing

List of our standard dimensions in mm.

LHG description	d / D x L			LHG description	d / D / D ₁ x L
				LHG description	d / D / D ₁ x L
LMZ806-7085100	70/85x100			LMB806-253525	25/35/45x25
LMZ806-759050	75/90x50			LMB806-253530	25/35/45x30
LMZ806-759060	75/90x60			LMB806-253535	25/35/45x35
LMZ806-759070	75/90x70			LMB806-253540	25/35/45x40
LMZ806-759080	75/90x80			LMB806-253550	25/35/45x50
LMZ806-7590100	75/90x100			LMB806-304020	30/40/50x20
LMZ806-8010040	80/100x40			LMB806-304025	30/40/50x25
LMZ806-8010045	80/100x45			LMB806-304030	30/40/50x30
LMZ806-8010050	80/100x50			LMB806-304035	30/40/50x35
LMZ806-8010060	80/100x60			LMB806-304040	30/40/50x40
LMZ806-8010080	80/100x80			LMB806-304050	30/40/50x50
LMZ806-80100100	80/100x100			LMB806-354520	35/45/60x20
LMZ806-80100140	80/100x140			LMB806-354525	35/45/60x25
LMZ806-9011060	90/110x60			LMB806-354530	35/45/60x30
LMZ806-9011080	90/110x80			LMB806-354535	35/45/60x35
LMZ806-90110100	90/110x100			LMB806-354540	35/45/60x40
LMZ806-90110120	90/110x120			LMB806-354550	35/45/60x50
LMZ806-10012060	100/120x60			LMB806-405020	40/50/65x20
LMZ806-10012070	100/120x70			LMB806-405025	40/50/65x25
LMZ806-10012080	100/120x80			LMB806-405030	40/50/65x30
LMZ806-100120100	100/120x100			LMB806-405035	40/50/65x35
LMZ806-100120120	100/120x120			LMB806-405040	40/50/65x40
LMZ806-100120140	100/120x140			LMB806-405050	40/50/65x50
LMZ806-11013080	110/130x80			LMB806-405060	40/50/65x60
LMZ806-110130100	110/130x100			LMB806-455530	45/55/70x30
LMZ806-110130120	110/130x120			LMB806-455540	45/55/70x40
LMZ806-12014060	120/140x60			LMB806-455550	45/55/70x50
LMZ806-12014080	120/140x80			LMB806-455560	45/55/70x60
LMZ806-120140100	120/140x100			LMB806-506030	50/60/75x30
LMZ806-130150100	130/150x100			LMB806-506035	50/60/75x35
LMZ806-14016080	140/160x80			LMB806-506040	50/60/75x40
LMZ806-140160100	140/160x100			LMB806-506050	50/60/75x50
LMZ806-15017080	150/170x80			LMB806-506060	50/60/75x60
LMZ806-150170100	150/170x100			LMB806-557040	55/70/80x40
LMZ806-150170150	150/170x150			LMB806-557060	55/70/80x60
LMZ806-16018080	160/180x80			LMB806-607540	60/75/90x40
LMZ806-160180100	160/180x100			LMB806-607560	60/75/90x60
LMZ806-160180150	160/180x150			LMB806-607570	60/75/90x70
				LMB806-658040	65/80/95x40
				LMB806-658060	65/80/95x60
				LMB806-658080	65/80/95x80
				LMB806-708550	70/85/105x50
				LMB806-708580	70/85/105x80
				LMB806-759060	75/90/110x60
				LMB806-759080	75/90/110x80
				LMB806-8010040	80/100/120x40
				LMB806-203015	20/30/40x15
				LMB806-203020	20/30/40x20
				LMB806-203025	20/30/40x25
				LMB806-203030	20/30/40x30
				LMB806-203035	20/30/40x35
				LMB806-203040	20/30/40x40
				LMB806-253515	25/35/45x15
				LMB806-253520	25/35/45x20

Custom sizes are produced in a short term

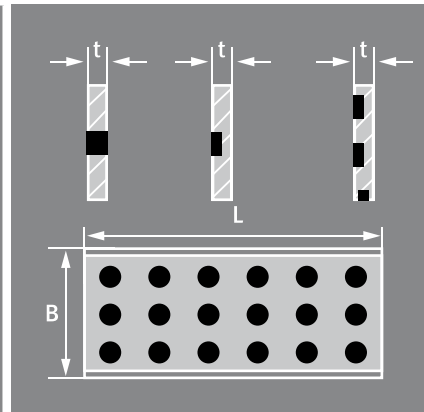
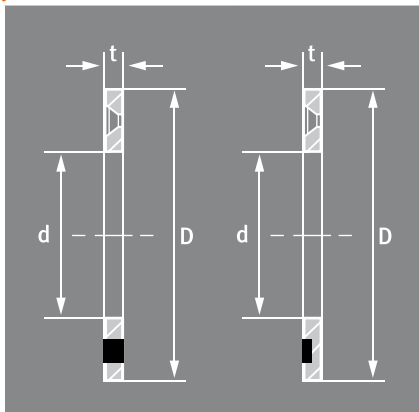
LMB = Flanged bushing

LMA = Thrust washer

LMS = Stripes & Plates

List of our standard dimensions in mm.

LHG description	d / D / D ₁ x L
LMB806-8010060	80/100/120x60
LMB806-8010080	80/100/120x80
LMB806-80100100	80/100/120x100
LMB806-9011040	90/110/130x40
LMB806-9011060	90/110/130x60
LMB806-9011080	90/110/130x80
LMB806-90110100	90/110/130x100
LMB806-10012060	100/120/150x60
LMB806-10012080	100/120/150x80
LMB806-100120100	100/120/150x100
LMB806-12014060	120/140/170x60
LMB806-12014080	120/140/170x80



LHG description	d / D / t
LMA806-103003	10,2/30x3
LMA806-124003	12,2/40x3
LMA806-134003	13,3/40x3
LMA806-145003	14,2/50x3
LMA806-155003	15,2/50x3
LMA806-165003	16,2/50x3
LMA806-185003	18,2/50x3
LMA806-205005	20,2/50x5
LMA806-255505	25,2/55x5
LMA806-306005	30,2/60x5
LMA806-357005	35,2/70x5
LMA806-408007	40,2/80x7
LMA806-459007	45,2/90x7
LMA806-5010008	50,3/100x8
LMA806-5511008	55,3/110x8
LMA806-6012008	60,3/120x8
LMA806-6512508	65,3/125x8
LMA806-7013010	70,3/130x10
LMA806-7514010	75,3/140x10
LMA806-8015010	80,3/150x10
LMA806-9017010	90,5/170x10
LMA806-10019010	100,5/190x10
LMA806-12020010	120,5/200x10

LHG description	B x L x t
LMS806-1810010	18x100x10
LMS806-1812510	18x125x10
LMS806-1815010	18x150x10
LMS806-287510	28x75x10
LMS806-2810010	28x100x10
LMS806-2812510	28x125x10
LMS806-2815010	28x150x10
LMS806-3510010	35x100x10
LMS806-3515010	35x150x10
LMS806-3520010	35x200x10
LMS806-3525010	35x250x10
LMS806-3530010	35x300x10
LMS806-3535010	35x350x10
LMS806-387510	38x75x10
LMS806-3810010	38x100x10
LMS806-3812510	38x125x10
LMS806-487510	48x75x10
LMS806-4810010	48x100x10
LMS806-4812510	48x125x10
LMS806-4815010	48x150x10
LMS806-5010010	50x100x10
LMS806-5015010	50x150x10
LMS806-5020010	50x200x10
LMS806-5025010	50x250x10
LMS806-5030010	50x300x10
LMS806-5040010	50x400x10
LMS806-7510010	75x150x10
LMS806-7520010	75x200x10
LMS806-7525010	75x250x10
LMS806-7530010	75x300x10
LMS806-7540010	75x400x10
LMS806-7550010	75x500x10

Sliding bearings for
Engine Construction