

Custom sizes are produced in a short term

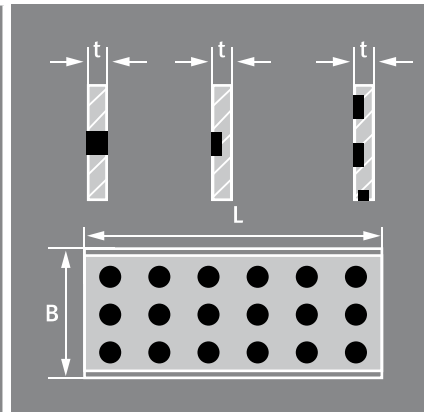
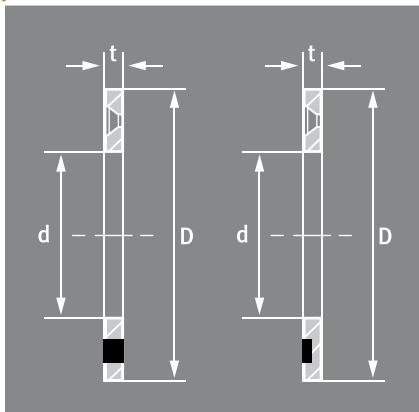
LMB = Flanged bushing

LMA = Thrust washer

LMS = Stripes & Plates

List of our standard dimensions in mm.

LHG description	d / D / D ₁ x L
LMB806-8010060	80/100/120x60
LMB806-8010080	80/100/120x80
LMB806-80100100	80/100/120x100
LMB806-9011040	90/110/130x40
LMB806-9011060	90/110/130x60
LMB806-9011080	90/110/130x80
LMB806-90110100	90/110/130x100
LMB806-10012060	100/120/150x60
LMB806-10012080	100/120/150x80
LMB806-100120100	100/120/150x100
LMB806-12014060	120/140/170x60
LMB806-12014080	120/140/170x80



LHG description	d / D / t
LMA806-103003	10,2/30x3
LMA806-124003	12,2/40x3
LMA806-134003	13,3/40x3
LMA806-145003	14,2/50x3
LMA806-155003	15,2/50x3
LMA806-165003	16,2/50x3
LMA806-185003	18,2/50x3
LMA806-205005	20,2/50x5
LMA806-255505	25,2/55x5
LMA806-306005	30,2/60x5
LMA806-357005	35,2/70x5
LMA806-408007	40,2/80x7
LMA806-459007	45,2/90x7
LMA806-5010008	50,3/100x8
LMA806-5511008	55,3/110x8
LMA806-6012008	60,3/120x8
LMA806-6512508	65,3/125x8
LMA806-7013010	70,3/130x10
LMA806-7514010	75,3/140x10
LMA806-8015010	80,3/150x10
LMA806-9017010	90,5/170x10
LMA806-10019010	100,5/190x10
LMA806-12020010	120,5/200x10

LHG description	B x L x t
LMS806-1810010	18x100x10
LMS806-1812510	18x125x10
LMS806-1815010	18x150x10
LMS806-287510	28x75x10
LMS806-2810010	28x100x10
LMS806-2812510	28x125x10
LMS806-2815010	28x150x10
LMS806-3510010	35x100x10
LMS806-3515010	35x150x10
LMS806-3520010	35x200x10
LMS806-3525010	35x250x10
LMS806-3530010	35x300x10
LMS806-3535010	35x350x10
LMS806-387510	38x75x10
LMS806-3810010	38x100x10
LMS806-3812510	38x125x10
LMS806-487510	48x75x10
LMS806-4810010	48x100x10
LMS806-4812510	48x125x10
LMS806-4815010	48x150x10
LMS806-5010010	50x100x10
LMS806-5015010	50x150x10
LMS806-5020010	50x200x10
LMS806-5025010	50x250x10
LMS806-5030010	50x300x10
LMS806-5040010	50x400x10
LMS806-7510010	75x150x10
LMS806-7520010	75x200x10
LMS806-7525010	75x250x10
LMS806-7530010	75x300x10
LMS806-7540010	75x400x10
LMS806-7550010	75x500x10

Sliding bearings for
Engine Construction