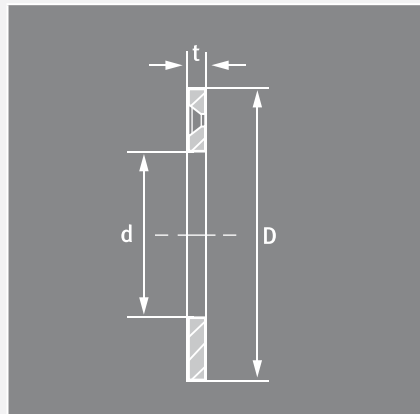


All sizes and measurements are produced to customers specification.

GAA/S = Thrust washer



GAS/S = Strips & Plates

