

GAP-MET® /S



WRAPPED COMPOSITE SLIDING BEARING,
STEEL/GRAPHITE BRONZE, MAINTENANCE-FREE

GAP-MET®/S sliding bearing



Types	GAZ/S Cylindrical bushing	GAA/S Thrust washer	GAS/S Strips
--------------	-------------------------------------	-------------------------------	------------------------

TECHNICAL DATA

Description	Wrapped composite steel/graphite bronze sliding bearing. Slots or drills are available in different constructions. Maintenance-free
Properties	High load capacity and stability, suitable for all slow movements and contaminated environments, no moisture absorption, good chemical resistance. Maintenance-free
Material* Support material Sliding layer**	Steel (also as Bronze GAP-MET®/B or Niro GAP-MET®/N available) CuSn alloys; running-in: Graphite film (optional)

MATERIAL PROPERTIES ***

Specific load capacity static	≤ 260	[N/mm ²]
Specific load capacity dynamic	≤ 80	[N/mm ²]
Sliding speed	< 0,5	[m/s]
Friction value	0,10 - 0,20	[μ] dry
Temperature strain	-150 - +280	[C°]
Max. Pv - value	1,0	[N/mm ² x m/s] dry

TOLERANCE DETAILS

Housing	H7
Bushing inner - Ø after mounting	H8 / H9
Shaft tolerance	d7 / e7
Shaft material	Stahl hardened > 180HB, Surface roughness ≤ Rz 4

MOUNTING ADVISE

Housing	Mounting bevel, min. 1,5 mm x 15-45°
Shaft	Mounting bevel, 5 mm x 15°, Kanten gerundet
Force fitting mandrel	The application of an adequate force fitting mandrel is advisable. Grease lubrication of the outer surface may be necessary when mounting.
Maintenance	GAP-MET®/S is a maintenance-free sliding bearing. Though, oil or grease lubrication is applicable.

Grooves or bores / holes in various versions available! Cylindrical bushings and stripes are standard lines.

* On request further materials are available for higher demands, e.g. for higher temperature ranges.

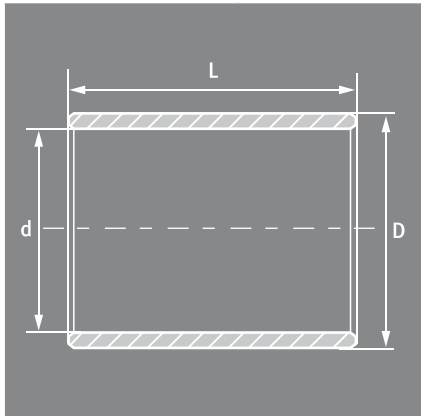
** Also with cleaning grooves available!

*** The above stated material properties are valid for optimal operating conditions. Through changes of the application conditions e.g. higher sliding speed or strain, these values are subject to change.

Custom sizes are produced in a short term

GAZ/S = Cylindrical bushing

List of our standard dimensions in mm.



LHG description	d / D x L	LHG description	d / D x L
GAZ/S867-1010	10/12x10	GAZ/S867-2820	28/32x20
GAZ/S867-1015	10/12x15	GAZ/S867-2825	28/32x25
GAZ/S867-1210	12/14x10	GAZ/S867-2830	28/32x30
GAZ/S867-1215	12/14x15	GAZ/S867-2840	28/32x40
GAZ/S867-1410	14/16x10	GAZ/S867-3015	30/34x15
GAZ/S867-1415	14/16x15	GAZ/S867-3020	30/34x20
GAZ/S867-1420	14/16x20	GAZ/S867-3025	30/34x25
GAZ/S867-1510	15/17x10	GAZ/S867-3030	30/34x30
GAZ/S867-1515	15/17x15	GAZ/S867-3040	30/34x40
GAZ/S867-1520	15/17x20	GAZ/S867-3220	32/36x20
GAZ/S867-1610	16/18x10	GAZ/S867-3225	32/36x25
GAZ/S867-1615	16/18x15	GAZ/S867-3230	32/36x30
GAZ/S867-1620	16/18x20	GAZ/S867-3240	32/36x40
GAZ/S867-1810	18/20x10	GAZ/S867-3520	35/39x20
GAZ/S867-1815	18/20x15	GAZ/S867-3525	35/39x25
GAZ/S867-1820	18/20x20	GAZ/S867-3530	35/39x30
GAZ/S867-1825	18/20x25	GAZ/S867-3540	35/39x40
GAZ/S867-2010	20/23x10	GAZ/S867-3550	35/39x50
GAZ/S867-2015	20/23x15	GAZ/S867-3620	36/40x20
GAZ/S867-2020	20/23x20	GAZ/S867-3625	36/40x25
GAZ/S867-2025	20/23x25	GAZ/S867-3630	36/40x30
GAZ/S867-2030	20/23x30	GAZ/S867-3640	36/40x40
GAZ/S867-2215	22/25x15	GAZ/S867-3650	36/40x50
GAZ/S867-2220	22/25x20	GAZ/S867-3820	38/42x20
GAZ/S867-2225	22/25x25	GAZ/S867-3825	38/42x25
GAZ/S867-2230	22/25x30	GAZ/S867-3830	38/42x30
GAZ/S867-2415	24/27x15	GAZ/S867-3840	38/42x40
GAZ/S867-2420	24/27x20	GAZ/S867-3850	38/42x50
GAZ/S867-2425	24/27x25	GAZ/S867-4020	40/44x20
GAZ/S867-2430	24/27x30	GAZ/S867-4025	40/44x25
GAZ/S867-2515	25/28x15	GAZ/S867-4030	40/44x30
GAZ/S867-2520	25/28x20	GAZ/S867-4040	40/44x40
GAZ/S867-2525	25/28x25	GAZ/S867-4050	40/44x50
GAZ/S867-2530	25/28x30	GAZ/S867-4060	40/44x60
GAZ/S867-2815	28/32x15	GAZ/S867-4225	42/46x25
		GAZ/S867-4230	42/46x30
		GAZ/S867-4240	42/46x40
		GAZ/S867-4250	42/46x50
		GAZ/S867-4260	42/46x60
		GAZ/S867-4525	45/50x25
		GAZ/S867-4530	45/50x30
		GAZ/S867-4540	45/50x40
		GAZ/S867-4550	45/50x50
		GAZ/S867-4560	45/50x60
		GAZ/S867-5025	50/55x25
		GAZ/S867-5030	50/55x30
		GAZ/S867-5040	50/55x40
		GAZ/S867-5050	50/55x50
		GAZ/S867-5060	50/55x60
		GAZ/S867-5070	50/55x70
		GAZ/S867-5530	55/60x30
		GAZ/S867-5540	55/60x40
		GAZ/S867-5550	55/60x50
		GAZ/S867-5560	55/60x60
		GAZ/S867-5570	55/60x70
		GAZ/S867-6030	60/65x30
		GAZ/S867-6040	60/65x40
		GAZ/S867-6050	60/65x50
		GAZ/S867-6060	60/65x60
		GAZ/S867-6070	60/65x70
		GAZ/S867-6080	60/65x80
		GAZ/S867-6540	65/70x40
		GAZ/S867-6550	65/70x50
		GAZ/S867-6560	65/70x60
		GAZ/S867-6570	65/70x70
		GAZ/S867-6580	65/70x80
		GAZ/S867-7040	70/75x40
		GAZ/S867-7050	70/75x50
		GAZ/S867-7060	70/75x60
		GAZ/S867-7070	70/75x70
		GAZ/S867-7080	70/75x80
		GAZ/S867-7540	75/81x40
		GAZ/S867-7550	75/81x50
		GAZ/S867-7560	75/81x60
		GAZ/S867-7570	75/81x70
		GAZ/S867-7580	75/81x80
		GAZ/S867-75100	75/81x100
		GAZ/S867-8040	80/86x40
		GAZ/S867-8050	80/86x50
		GAZ/S867-8060	80/86x60
		GAZ/S867-8070	80/86x70
		GAZ/S867-8080	80/86x80
		GAZ/S867-80100	80/86x100
		GAZ/S867-8550	85/91x50
		GAZ/S867-8560	85/91x60
		GAZ/S867-8570	85/91x70
		GAZ/S867-8580	85/91x80
		GAZ/S867-85100	85/91x100
		GAZ/S867-85120	85/91x120
		GAZ/S867-9050	90/96x50
		GAZ/S867-9060	90/96x60
		GAZ/S867-9070	90/96x70

GAZ/S = Cylindrical bushing

List of our standard dimensions in mm.

LHG description	d / D x L	LHG description	d / D x L	LHG description	d / D x L
GAZ/S867-9080	90/96x80	GAZ/S867-12580	125/131x80	GAZ/S867-150180	150/156x180
GAZ/S867-90100	90/96x100	GAZ/S867-125100	125/131x100	GAZ/S867-150200	150/156x200
GAZ/S867-90120	90/96x120	GAZ/S867-125120	125/131x120	GAZ/S867-16080	160/166x80
GAZ/S867-9560	95/101x60	GAZ/S867-125140	125/131x140	GAZ/S867-160100	160/166x100
GAZ/S867-9570	95/101x70	GAZ/S867-125150	125/131x150	GAZ/S867-160120	160/166x120
GAZ/S867-9580	95/101x80	GAZ/S867-125160	125/131x160	GAZ/S867-160140	160/166x140
GAZ/S867-95100	95/101x100	GAZ/S867-125180	125/131x180	GAZ/S867-160150	160/166x150
GAZ/S867-95120	95/101x120	GAZ/S867-13070	130/136x70	GAZ/S867-160160	160/166x160
GAZ/S867-10050	100/106x50	GAZ/S867-13080	130/136x80	GAZ/S867-160180	160/166x180
GAZ/S867-10060	100/106x60	GAZ/S867-130100	130/136x100	GAZ/S867-160200	160/166x200
GAZ/S867-10070	100/106x70	GAZ/S867-130120	130/136x120	GAZ/S867-180100	180/186x100
GAZ/S867-10080	100/106x80	GAZ/S867-130140	130/136x140	GAZ/S867-180120	180/186x120
GAZ/S867-100100	100/106x100	GAZ/S867-130150	130/136x150	GAZ/S867-180140	180/186x140
GAZ/S867-100120	100/106x120	GAZ/S867-130160	130/136x160	GAZ/S867-180150	180/186x150
GAZ/S867-100140	100/106x140	GAZ/S867-130180	130/136x180	GAZ/S867-180160	180/186x160
GAZ/S867-10560	105/111x60	GAZ/S867-13570	135/141x70	GAZ/S867-180180	180/186x180
GAZ/S867-10570	105/111x70	GAZ/S867-13580	135/141x80	GAZ/S867-180200	180/186x200
GAZ/S867-10580	105/111x80	GAZ/S867-135100	135/141x100	GAZ/S867-200100	200/206x100
GAZ/S867-105100	105/111x100	GAZ/S867-135120	135/141x120	GAZ/S867-200120	200/206x120
GAZ/S867-105120	105/111x120	GAZ/S867-135140	135/141x140	GAZ/S867-200140	200/206x140
GAZ/S867-105140	105/111x140	GAZ/S867-135150	135/141x150	GAZ/S867-200150	200/206x150
GAZ/S867-105150	105/111x150	GAZ/S867-135160	135/141x160	GAZ/S867-200160	200/206x160
GAZ/S867-11060	110/116x60	GAZ/S867-135180	135/141x180	GAZ/S867-200180	200/206x180
GAZ/S867-11070	110/116x70	GAZ/S867-14070	140/146x70	GAZ/S867-200200	200/206x200
GAZ/S867-11080	110/116x80	GAZ/S867-14080	140/146x80	GAZ/S867-220100	220/226x100
GAZ/S867-110100	110/116x100	GAZ/S867-140100	140/146x100	GAZ/S867-220120	220/226x120
GAZ/S867-110120	110/116x120	GAZ/S867-140120	140/146x120	GAZ/S867-220140	220/226x140
GAZ/S867-110140	110/116x140	GAZ/S867-140140	140/146x140	GAZ/S867-220150	220/226x150
GAZ/S867-110150	110/116x150	GAZ/S867-140150	140/146x150	GAZ/S867-220160	220/226x160
GAZ/S867-11560	115/121x60	GAZ/S867-140160	140/146x160	GAZ/S867-220180	220/226x180
GAZ/S867-11570	115/121x70	GAZ/S867-140180	140/146x180	GAZ/S867-220200	220/226x200
GAZ/S867-11580	115/121x80	GAZ/S867-140200	140/146x200	GAZ/S867-240120	240/246x120
GAZ/S867-115100	115/121x100	GAZ/S867-14580	145/151x80	GAZ/S867-240140	240/246x140
GAZ/S867-115120	115/121x120	GAZ/S867-145100	145/151x100	GAZ/S867-240150	240/246x150
GAZ/S867-115140	115/121x140	GAZ/S867-145120	145/151x120	GAZ/S867-240160	240/246x160
GAZ/S867-115150	115/121x150	GAZ/S867-145140	145/151x140	GAZ/S867-240180	240/246x180
GAZ/S867-115160	115/121x160	GAZ/S867-145150	145/151x150	GAZ/S867-240200	240/246x200
GAZ/S867-12060	120/126x60	GAZ/S867-145160	145/151x160	GAZ/S867-260120	260/270x120
GAZ/S867-12070	120/126x70	GAZ/S867-145180	145/151x180	GAZ/S867-260140	260/270x140
GAZ/S867-12080	120/126x80	GAZ/S867-145200	145/151x200	GAZ/S867-260150	260/270x150
GAZ/S867-120100	120/126x100	GAZ/S867-15080	150/156x80	GAZ/S867-260160	260/270x160
GAZ/S867-120120	120/126x120	GAZ/S867-150100	150/156x100	GAZ/S867-260180	260/270x180
GAZ/S867-120140	120/126x140	GAZ/S867-150120	150/156x120	GAZ/S867-260200	260/270x200
GAZ/S867-120150	120/126x150	GAZ/S867-150140	150/156x140	GAZ/S867-280140	280/290x140
GAZ/S867-120160	120/126x160	GAZ/S867-150150	150/156x150	GAZ/S867-280150	280/290x150
GAZ/S867-12570	125/131x70	GAZ/S867-150160	150/156x160	GAZ/S867-280160	280/290x160

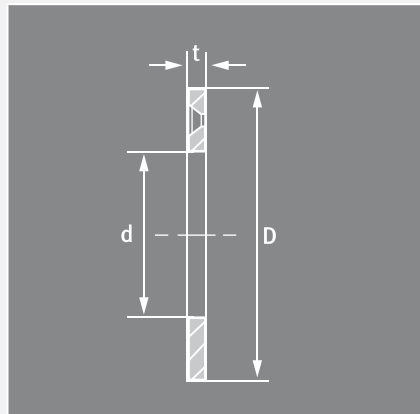
GAZ/S = Cylindrical bushing

List of our standard dimensions in mm.

LHG Bezeichnung	d / D x L
GAZ/S867-280180	280/290x180
GAZ/S867-280200	280/290x200
GAZ/S867-300150	300/310x150
GAZ/S867-300160	300/310x160
GAZ/S867-300180	300/310x180
GAZ/S867-300200	300/310x200
GAZ/S867-320160	320/330x160
GAZ/S867-320180	320/330x180
GAZ/S867-320200	320/330x200
GAZ/S867-340180	340/350x180
GAZ/S867-340200	340/350x200
GAZ/S867-350180	350/360x180
GAZ/S867-350200	350/360x200
GAZ/S867-360180	360/370x180
GAZ/S867-360200	360/370x200
GAZ/S867-380200	380/390x200
GAZ/S867-400200	400/410x200
GAZ/S867-420200	420/430x200
GAZ/S867-440200	440/450x200
GAZ/S867-460200	460/470x200
GAZ/S867-480200	480/490x200
GAZ/S867-500200	500/510x200
GAZ/S867-520200	520/530x200
GAZ/S867-540200	540/550x200
GAZ/S867-560200	560/570x200
GAZ/S867-580200	580/590x200
GAZ/S867-600200	600/610x200

All sizes and measurements are produced to customers specification.

GAA/S = Thrust washer



GAS/S = Strips & Plates

