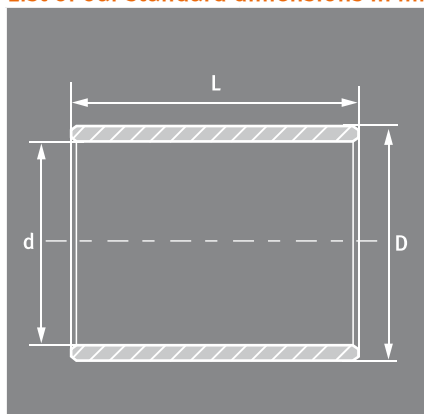


Custom sizes are produced in a short term

GAZ/M = Cylindrical bushing

List of our standard dimensions in mm.



LHG description	d / D x L	LHG description	d / D x L
GAZ/M125-203515	20/35/15	GAZ/M125-456050	45/60/50
GAZ/M125-203520	20/35/20	GAZ/M125-456060	45/60/60
GAZ/M125-203530	20/35/30	GAZ/M125-456070	45/60/70
GAZ/M125-204015	20/40/15	GAZ/M125-506030	50/60/30
GAZ/M125-204020	20/40/20	GAZ/M125-506040	50/60/40
GAZ/M125-204030	20/40/30	GAZ/M125-506050	50/60/50
GAZ/M125-253515	25/35/15	GAZ/M125-506060	50/60/60
GAZ/M125-253520	25/35/20	GAZ/M125-506070	50/60/70
GAZ/M125-253530	25/35/30	GAZ/M125-556540	55/65/40
GAZ/M125-253540	25/35/40	GAZ/M125-556550	55/65/50
GAZ/M125-254520	25/45/20	GAZ/M125-556560	55/65/60
GAZ/M125-254530	25/45/30	GAZ/M125-556570	55/65/70
GAZ/M125-254540	25/45/40	GAZ/M125-607040	60/70/40
GAZ/M125-304030	30/40/30	GAZ/M125-607050	60/70/50
GAZ/M125-304040	30/40/40	GAZ/M125-607060	60/70/60
GAZ/M125-304050	30/40/50	GAZ/M125-607070	60/70/70
GAZ/M125-304060	30/40/60	GAZ/M125-608040	60/80/40
GAZ/M125-354530	35/45/30	GAZ/M125-608050	60/80/50
GAZ/M125-354540	35/45/40	GAZ/M125-608060	60/80/60
GAZ/M125-354550	35/45/50	GAZ/M125-608070	60/80/70
GAZ/M125-354560	35/45/60	GAZ/M125-657540	65/75/40
GAZ/M125-405040	40/50/40	GAZ/M125-657550	65/75/50
GAZ/M125-405045	40/50/45	GAZ/M125-657560	65/75/60
GAZ/M125-405050	40/50/50	GAZ/M125-657570	65/75/70
GAZ/M125-405055	40/50/55	GAZ/M125-658040	65/80/40
GAZ/M125-405060	40/50/60	GAZ/M125-658050	65/80/50
GAZ/M125-405065	40/50/65	GAZ/M125-658060	65/80/60
GAZ/M125-455540	45/55/40	GAZ/M125-658070	65/80/70
GAZ/M125-455545	45/55/45	GAZ/M125-658540	65/85/40
GAZ/M125-455550	45/55/50	GAZ/M125-658550	65/85/50
GAZ/M125-455555	45/55/55	GAZ/M125-658560	65/85/60
GAZ/M125-455560	45/55/60	GAZ/M125-658570	65/85/70
GAZ/M125-455565	45/55/65	GAZ/M125-759040	75/90/40
GAZ/M125-456030	45/60/30	GAZ/M125-759050	75/90/50
GAZ/M125-456040	45/60/40	GAZ/M125-759060	75/90/60
		GAZ/M125-759070	75/90/70
		GAZ/M125-759540	75/95/40
		GAZ/M125-759550	75/95/50
		GAZ/M125-759560	75/95/60
		GAZ/M125-759570	75/95/70
		GAZ/M125-809050	80/90/50
		GAZ/M125-809060	80/90/60
		GAZ/M125-809070	80/90/70
		GAZ/M125-809080	80/90/80
		GAZ/M125-809550	80/95/50
		GAZ/M125-809560	80/95/60
		GAZ/M125-809570	80/95/70
		GAZ/M125-809580	80/95/80
		GAZ/M125-8010050	80/100/50
		GAZ/M125-8010060	80/100/60
		GAZ/M125-8010070	80/100/70
		GAZ/M125-8010080	80/100/80
		GAZ/M125-8010550	80/105/50
		GAZ/M125-8010560	80/105/60
		GAZ/M125-8010570	80/105/70
		GAZ/M125-8010580	80/105/80
		GAZ/M125-8011050	80/110/50
		GAZ/M125-8011060	80/110/60
		GAZ/M125-8011070	80/110/70
		GAZ/M125-8011080	80/110/80
		GAZ/M125-8510050	85/100/50
		GAZ/M125-8510060	85/100/60
		GAZ/M125-8510070	85/100/70
		GAZ/M125-8510080	85/100/80
		GAZ/M125-8510550	85/105/50
		GAZ/M125-8510560	85/105/60
		GAZ/M125-8510570	85/105/70
		GAZ/M125-8510580	85/105/80
		GAZ/M125-8511050	85/110/50
		GAZ/M125-8511060	85/110/60
		GAZ/M125-8511070	85/110/70

Sliding bearings for
Engine Construction

GAZ/M = Cylindrical bushing

GAV/M = Rod

List of our standard dimensions in mm.

LHG description	d / D x L	LHG description	d / D x L	LHG description	d x L
GAZ/M125-8511080	85/110/80	GAZ/M125-9512590	95/125/90	GAV/M125-3020	30x20
GAZ/M125-8511550	85/115/50	GAZ/M125-9513060	95/130/60	GAV/M125-3545	35x45
GAZ/M125-8511560	85/115/60	GAZ/M125-9513070	95/130/70	GAV/M125-4060	40x60
GAZ/M125-8511570	85/115/70	GAZ/M125-9513080	95/130/80	GAV/M125-5070	50x70
GAZ/M125-8511580	85/115/80	GAZ/M125-9513090	95/130/90	GAV/M125-6065	60x65
GAZ/M125-8512050	85/120/50	GAZ/M125-10012060	100/120/60	GAV/M125-7070	70x70
GAZ/M125-8512060	85/120/60	GAZ/M125-10012070	100/120/70		
GAZ/M125-8512070	85/120/70	GAZ/M125-10012080	100/120/80		
GAZ/M125-8512080	85/120/80	GAZ/M125-10012090	100/120/90		
GAZ/M125-9011060	90/110/60	GAZ/M125-10012560	100/125/60		
GAZ/M125-9011070	90/110/70	GAZ/M125-10012570	100/125/70		
GAZ/M125-9011080	90/110/80	GAZ/M125-10012580	100/125/80		
GAZ/M125-9011090	90/110/90	GAZ/M125-10012590	100/125/90		
GAZ/M125-9011560	90/115/60	GAZ/M125-10013060	100/130/60		
GAZ/M125-9011570	90/115/70	GAZ/M125-10013070	100/130/70		
GAZ/M125-9011580	90/115/80	GAZ/M125-10013080	100/130/80		
GAZ/M125-9011590	90/115/90	GAZ/M125-10013090	100/130/90		
GAZ/M125-9012060	90/120/60	GAZ/M125-10013560	100/135/60		
GAZ/M125-9012070	90/120/70	GAZ/M125-10013570	100/135/70		
GAZ/M125-9012080	90/120/80	GAZ/M125-10013580	100/135/80		
GAZ/M125-9012090	90/120/90	GAZ/M125-10013590	100/135/90		
GAZ/M125-9510560	95/105/60				
GAZ/M125-9510570	95/105/70				
GAZ/M125-9510580	95/105/80				
GAZ/M125-9510590	95/105/90				
GAZ/M125-9511060	95/110/60				
GAZ/M125-9511070	95/110/70				
GAZ/M125-9511080	95/110/80				
GAZ/M125-9511090	95/110/90				
GAZ/M125-9511560	95/115/60				
GAZ/M125-9511570	95/115/70				
GAZ/M125-9511580	95/115/80				
GAZ/M125-9511590	95/115/90				
GAZ/M125-9512060	95/120/60				
GAZ/M125-9512070	95/120/70				
GAZ/M125-9512080	95/120/80				
GAZ/M125-9512090	95/120/90				
GAZ/M125-9512560	95/125/60				
GAZ/M125-9512570	95/125/70				
GAZ/M125-9512580	95/125/80				

Special sizes or flanged bushings beyond the above measurement list can be manufactured at short notice!