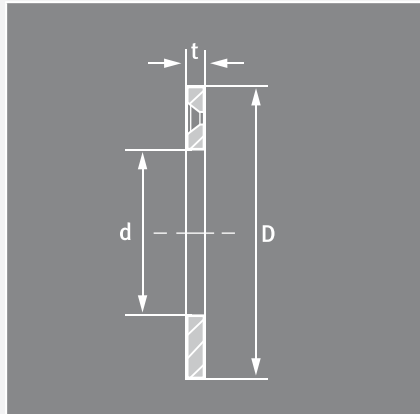


Custom sizes are produced in a short term

All sizes and measurements are produced to customers specification.

GAA/M = Thrust washer



GAS/M = Strips & Plates

