

GAP-MET® / M



SELF-LUBRICATING BRONZE SLIDING BEARING,
MAINTENANCE-FREE

GAP-MET® /M sliding bearing



Types	GAZ/M Cylindrical bushing	GAB/M Flanged bushing	GAA/M Thrust washer	GAS/M Strips
-------	------------------------------	--------------------------	------------------------	-----------------

TECHNICAL DATA

Description	Self-lubricating sliding bearing. High-compressed with evenly applied solid lubricant. Manufactured employing sintering technique. Maintenance-free
Properties	High-load capacity and stability, for all slow movements, unsusceptible to dirt, no moisture absorption, good chemical resistance, good respectively very good temperature resistance, can be reworked mechanically. Maintenance-free
Material* Support material Sliding layer**	Bronze with smoothly dispersed graphite incorporated in the matrix CuSn / CuSnPb alloys**; running-in: Graphite film (optional)

MATERIAL PROPERTIES ***

Specific load capacity static	≤ 250	[N/mm ²]
Specific load capacity dynamic	≤ 130	[N/mm ²]
Sliding speed	< 0,5	[m/s] dry
Friction value	0,10 - 0,20	[μ]
Temperature strain	-50 - +350	[C°] up to +650 C°
Max. Pv - value	1,5	[N/mm ² x m/s] dry

TOLERANCE DETAILS

Housing Bushing inner - Ø after mounting Shaft tolerance	H7 To customers specification (D8 / H8 / H9) To be specified by customer (d7 / e7 / f7 / h7)
Shaft material	Hardened steel > 180HB, surface roughness ≤ Rz 4

MOUNTING ADVISE

Housing Shaft Force fitting mandrel	Mounting bevel, min. 1,5 mm x 15-45° Mounting bevel, 5 mm x 15°, edges rounded The application of an adequate force fitting mandrel is advisable. Grease lubrication of the outer surface may be necessary when mounting.
Maintenance	GAP-MET® /M is a maintenance-free sliding bearing. Though, oil or grease lubrication is applicable.

Cylindrical and flanged bushings are standard fabrication. All special designs are available at short notice!

* On request further materials are available for higher demands, e.g. for higher temperature ranges.

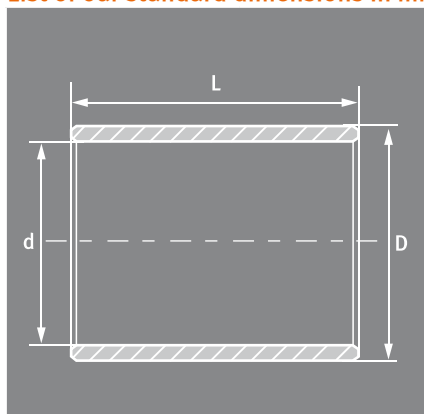
** Also with cleaning grooves available!

*** The above stated material properties are valid for optimal operating conditions. Through changes of the application conditions e.g. higher sliding speed or strain, these values are subject to change.

Custom sizes are produced in a short term

GAZ/M = Cylindrical bushing

List of our standard dimensions in mm.



LHG description	d / D x L	LHG description	d / D x L
GAZ/M125-203515	20/35/15	GAZ/M125-456050	45/60/50
GAZ/M125-203520	20/35/20	GAZ/M125-456060	45/60/60
GAZ/M125-203530	20/35/30	GAZ/M125-456070	45/60/70
GAZ/M125-204015	20/40/15	GAZ/M125-506030	50/60/30
GAZ/M125-204020	20/40/20	GAZ/M125-506040	50/60/40
GAZ/M125-204030	20/40/30	GAZ/M125-506050	50/60/50
GAZ/M125-253515	25/35/15	GAZ/M125-506060	50/60/60
GAZ/M125-253520	25/35/20	GAZ/M125-506070	50/60/70
GAZ/M125-253530	25/35/30	GAZ/M125-556540	55/65/40
GAZ/M125-253540	25/35/40	GAZ/M125-556550	55/65/50
GAZ/M125-254520	25/45/20	GAZ/M125-556560	55/65/60
GAZ/M125-254530	25/45/30	GAZ/M125-556570	55/65/70
GAZ/M125-254540	25/45/40	GAZ/M125-607040	60/70/40
GAZ/M125-304030	30/40/30	GAZ/M125-607050	60/70/50
GAZ/M125-304040	30/40/40	GAZ/M125-607060	60/70/60
GAZ/M125-304050	30/40/50	GAZ/M125-607070	60/70/70
GAZ/M125-304060	30/40/60	GAZ/M125-608040	60/80/40
GAZ/M125-354530	35/45/30	GAZ/M125-608050	60/80/50
GAZ/M125-354540	35/45/40	GAZ/M125-608060	60/80/60
GAZ/M125-354550	35/45/50	GAZ/M125-608070	60/80/70
GAZ/M125-354560	35/45/60	GAZ/M125-657540	65/75/40
GAZ/M125-405040	40/50/40	GAZ/M125-657550	65/75/50
GAZ/M125-405045	40/50/45	GAZ/M125-657560	65/75/60
GAZ/M125-405050	40/50/50	GAZ/M125-657570	65/75/70
GAZ/M125-405055	40/50/55	GAZ/M125-658040	65/80/40
GAZ/M125-405060	40/50/60	GAZ/M125-658050	65/80/50
GAZ/M125-405065	40/50/65	GAZ/M125-658060	65/80/60
GAZ/M125-455540	45/55/40	GAZ/M125-658070	65/80/70
GAZ/M125-455545	45/55/45	GAZ/M125-658540	65/85/40
GAZ/M125-455550	45/55/50	GAZ/M125-658550	65/85/50
GAZ/M125-455555	45/55/55	GAZ/M125-658560	65/85/60
GAZ/M125-455560	45/55/60	GAZ/M125-658570	65/85/70
GAZ/M125-455565	45/55/65	GAZ/M125-759040	75/90/40
GAZ/M125-456030	45/60/30	GAZ/M125-759050	75/90/50
GAZ/M125-456040	45/60/40	GAZ/M125-759060	75/90/60
		GAZ/M125-759070	75/90/70
		GAZ/M125-759540	75/95/40
		GAZ/M125-759550	75/95/50
		GAZ/M125-759560	75/95/60
		GAZ/M125-759570	75/95/70
		GAZ/M125-809050	80/90/50
		GAZ/M125-809060	80/90/60
		GAZ/M125-809070	80/90/70
		GAZ/M125-809080	80/90/80
		GAZ/M125-809550	80/95/50
		GAZ/M125-809560	80/95/60
		GAZ/M125-809570	80/95/70
		GAZ/M125-809580	80/95/80
		GAZ/M125-8010050	80/100/50
		GAZ/M125-8010060	80/100/60
		GAZ/M125-8010070	80/100/70
		GAZ/M125-8010080	80/100/80
		GAZ/M125-8010550	80/105/50
		GAZ/M125-8010560	80/105/60
		GAZ/M125-8010570	80/105/70
		GAZ/M125-8010580	80/105/80
		GAZ/M125-8011050	80/110/50
		GAZ/M125-8011060	80/110/60
		GAZ/M125-8011070	80/110/70
		GAZ/M125-8011080	80/110/80
		GAZ/M125-8510050	85/100/50
		GAZ/M125-8510060	85/100/60
		GAZ/M125-8510070	85/100/70
		GAZ/M125-8510080	85/100/80
		GAZ/M125-8510550	85/105/50
		GAZ/M125-8510560	85/105/60
		GAZ/M125-8510570	85/105/70
		GAZ/M125-8510580	85/105/80
		GAZ/M125-8511050	85/110/50
		GAZ/M125-8511060	85/110/60
		GAZ/M125-8511070	85/110/70

Sliding bearings for
Engine Construction

GAZ/M = Cylindrical bushing

GAV/M = Rod

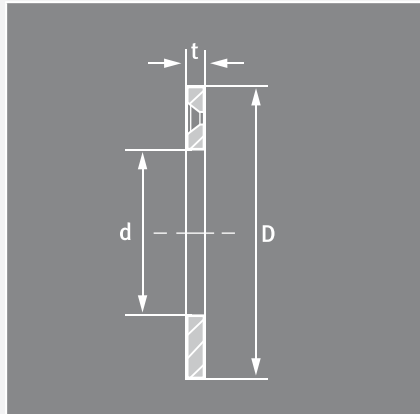
List of our standard dimensions in mm.

LHG description	d / D x L	LHG description	d / D x L	LHG description	d x L
GAZ/M125-8511080	85/110/80	GAZ/M125-9512590	95/125/90	GAV/M125-3020	30x20
GAZ/M125-8511550	85/115/50	GAZ/M125-9513060	95/130/60	GAV/M125-3545	35x45
GAZ/M125-8511560	85/115/60	GAZ/M125-9513070	95/130/70	GAV/M125-4060	40x60
GAZ/M125-8511570	85/115/70	GAZ/M125-9513080	95/130/80	GAV/M125-5070	50x70
GAZ/M125-8511580	85/115/80	GAZ/M125-9513090	95/130/90	GAV/M125-6065	60x65
GAZ/M125-8512050	85/120/50	GAZ/M125-10012060	100/120/60	GAV/M125-7070	70x70
GAZ/M125-8512060	85/120/60	GAZ/M125-10012070	100/120/70		
GAZ/M125-8512070	85/120/70	GAZ/M125-10012080	100/120/80		
GAZ/M125-8512080	85/120/80	GAZ/M125-10012090	100/120/90		
GAZ/M125-9011060	90/110/60	GAZ/M125-10012560	100/125/60		
GAZ/M125-9011070	90/110/70	GAZ/M125-10012570	100/125/70		
GAZ/M125-9011080	90/110/80	GAZ/M125-10012580	100/125/80		
GAZ/M125-9011090	90/110/90	GAZ/M125-10012590	100/125/90		
GAZ/M125-9011560	90/115/60	GAZ/M125-10013060	100/130/60		
GAZ/M125-9011570	90/115/70	GAZ/M125-10013070	100/130/70		
GAZ/M125-9011580	90/115/80	GAZ/M125-10013080	100/130/80		
GAZ/M125-9011590	90/115/90	GAZ/M125-10013090	100/130/90		
GAZ/M125-9012060	90/120/60	GAZ/M125-10013560	100/135/60		
GAZ/M125-9012070	90/120/70	GAZ/M125-10013570	100/135/70		
GAZ/M125-9012080	90/120/80	GAZ/M125-10013580	100/135/80		
GAZ/M125-9012090	90/120/90	GAZ/M125-10013590	100/135/90		
GAZ/M125-9510560	95/105/60				
GAZ/M125-9510570	95/105/70				
GAZ/M125-9510580	95/105/80				
GAZ/M125-9510590	95/105/90				
GAZ/M125-9511060	95/110/60				
GAZ/M125-9511070	95/110/70				
GAZ/M125-9511080	95/110/80				
GAZ/M125-9511090	95/110/90				
GAZ/M125-9511560	95/115/60				
GAZ/M125-9511570	95/115/70				
GAZ/M125-9511580	95/115/80				
GAZ/M125-9511590	95/115/90				
GAZ/M125-9512060	95/120/60				
GAZ/M125-9512070	95/120/70				
GAZ/M125-9512080	95/120/80				
GAZ/M125-9512090	95/120/90				
GAZ/M125-9512560	95/125/60				
GAZ/M125-9512570	95/125/70				
GAZ/M125-9512580	95/125/80				

Special sizes or flanged bushings beyond the above measurement list can be manufactured at short notice!

All sizes and measurements are produced to customers specification.

GAA/M = Thrust washer



GAS/M = Strips & Plates

