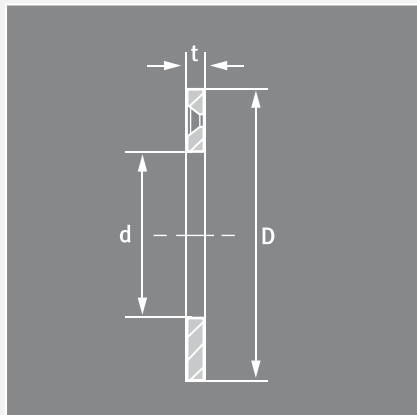


All sizes and measurements are produced to customers specification.

**KXA = Thrust washer**



**KXS = Stripes & Plates**

