

COM-KU[®]/X



COMPOUND PLASTIC SLIDING BEARING, WEAR RESISTANT
MAINTENANCE-FREE



COM-KU®/X sliding bearing

Thermoplastic plastic sliding bearing, out of high-value plastic-compound, maintenance-free, excellent sliding properties, elastic and high load • Maintenance-free

PROPERTIES	Good sliding properties, suitable for high load capacity (as well as impact load and edge pressing), very good at low sliding speeds, good chemical resistance, long life span, suitable for reparation of lubricated bushings, good damping features.
MATERIAL *	Compound - plastic
MATERIAL PROPERTIES **	
Specific load capacity static	≤ 75 [N/mm ²] dep. on temperature and length of strain
Specific load capacity dynamic	≤ 25 [N/mm ²] dep. on temperature and sliding speed
Sliding speed	< 1,7 [m/s]
Friction value	0,08 - 0,18 [μ]
Temperature strain	-150 - +70 [C°] short run +90 C°
Max. Pv - value	3,5 [N/mm ² x m/s] dep. on environmental conditions
Moisture absorption	0,3 [% at 20°C in 24h]
TOLERANCE DETAILS	
Housing - Ø	H5
Bushing-Inner - Ø after mounting	D8
Shaft tolerance	Specified by the customer
SHAFT MATERIAL	Steel >200HB dressed to size, surface roughness < R _a 44
MOUNTING ADVICE	
Housing	Mounting bevel, min. 1,5 mm x 15-45°
Shaft	Mounting bevel, 5 mm x 15°, edges rounded
Force fitting mandrel	The application of an adequate force fitting mandrel is advisable.
MAINTENANCE	None. COM-KU®/X is a self lubricating and maintenance-free plastic sliding bearing.

KXZ Cylindrical bushing

KXB Flanged bushing

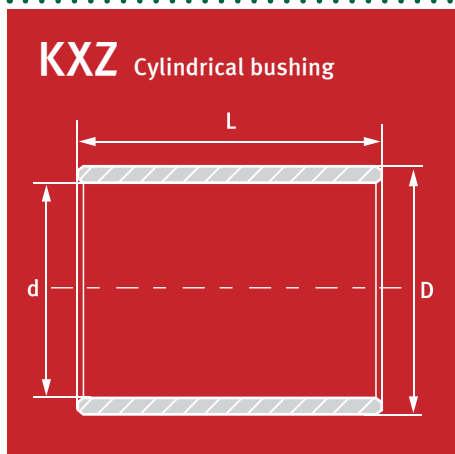
KXA Thrust washer

KXS Strips

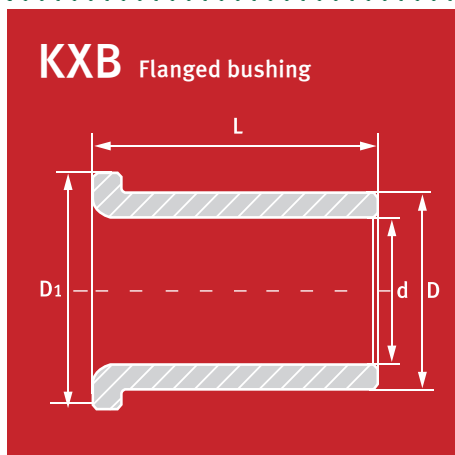
* On request further materials are available for higher demands, e.g. for higher temperature ranges.

** The above stated material properties are valid for optimal operating conditions. Through changes of the application conditions e.g. higher sliding speed or strain, these values are subject to changes.

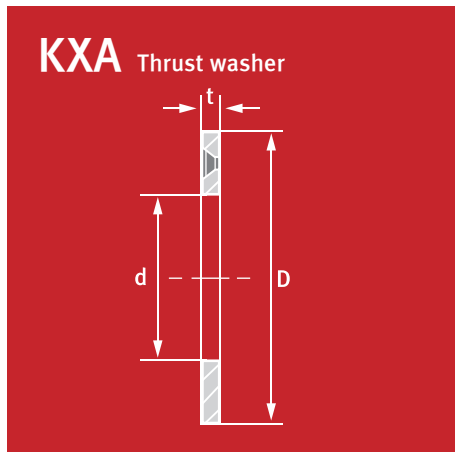
Cylindrical and flanged bushings are standard fabrication. All special designs are available at short notice!



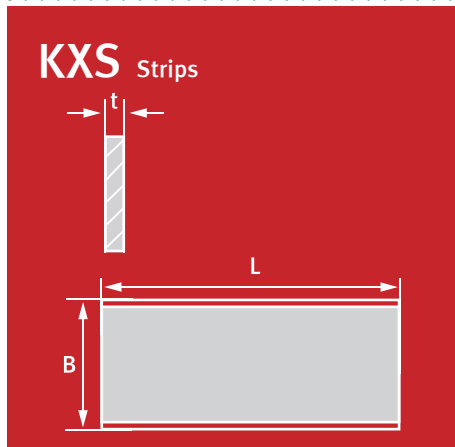
KX	Z	50	65	70
Type (COM-KU®/X)	Geometry (Cylindrical bushing)	Inner diameter 50 mm (d)	Outer diameter 65 mm (D)	Length 70 mm (L)



KX	B	50	65	70
Type (COM-KU®/X)	Geometry (Flanged bushing)	Inner diameter 50 mm (d)	Outer diameter 65 mm (D)	Length 70 mm (L)



KX	A	30	60	05
Type (COM-KU®/X)	Geometry (Thrust washer)	Inner diameter 30 mm (d)	Outer diameter 60 mm (D)	Thickness 5 mm (t)



KX	S	30	70	10
Type (COM-KU®/X)	Geometry (Strip)	Width 30 mm (B)	Length 70 mm (L)	Thickness 10 mm (t)

All sizes and measurements are produced to customer's specification.