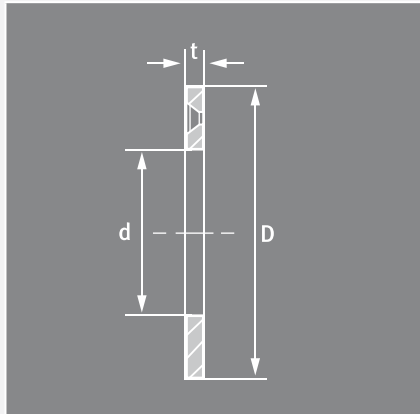


All sizes and measurements are produced to customers specification.

KDA = Thrust washer



KDS = Stripes & Plates

