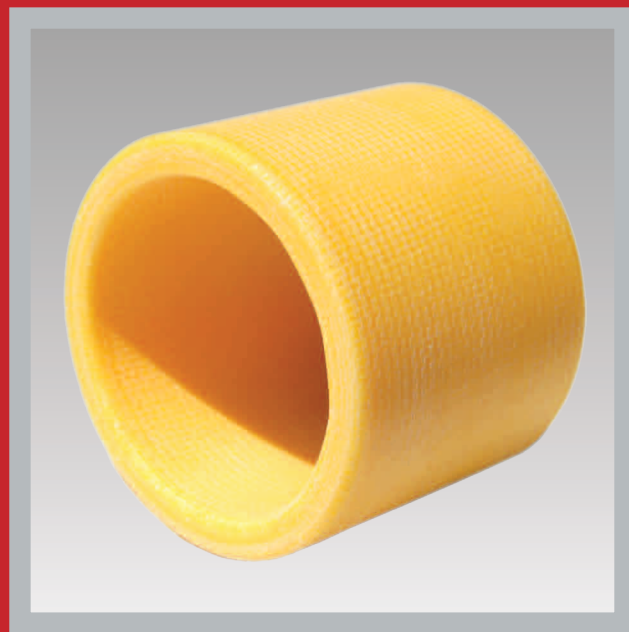


# COM-KU<sup>®</sup>/D



FIBRE-REINFORCED PLASTIC COMPOSITE SLIDING BEARING,  
MAINTENANCE-FREE



# COM-KU®/D

**Fibre-reinforced plastic composite sliding bearing • Maintenance-free**

<b>PROPERTIES</b>	Good sliding properties, suitable for high load capacity (as well as impact load and edge pressing), very good at low sliding speeds, good chemical resistance, long life span, suitable for reparation of lubricated bushings, good damping features.
<b>MATERIAL *</b>	Compound plastic, winding technique
<b>MATERIAL PROPERTIES **</b>	
Specific load capacity static	≤ 325 [ N/mm <sup>2</sup> ]
Specific load capacity dynamic	≤ 95 [ N/mm <sup>2</sup> ]
Sliding speed	≤ 2,0 [ m/s ]
Friction value	0,04 to 0,10 [ μ ]
Temperature strain	-160 to +130 [ °C ]
Max. P <sub>v</sub> - value	0,4 [ N/mm <sup>2</sup> x m/s ]
Moisture absorption	0,15 [ % at 20°C in 24h ]
<b>TOLERANCE DETAILS</b>	
Housing - Ø	H7
Bushing-Inner - Ø after mounting	Depends on wall thickness of the bushing
Shaft tolerance	Depends on application
<b>SHAFT MATERIAL</b>	Steel >200HB dressed to size, surface roughness < R <sub>z</sub> 4
<b>MOUNTING ADVICE</b>	
Housing	Mounting bevel, min. 1,5 mm x 15-45°
Shaft	Mounting bevel, 5 mm x 15°, edges rounded
Force fitting mandrel	The application of an adequate force fitting mandrel is advisable.
<b>MAINTENANCE</b>	No maintenance necessary. COM-KU®/D is a self-lubricating and maintenance-free plastic sliding bearing.

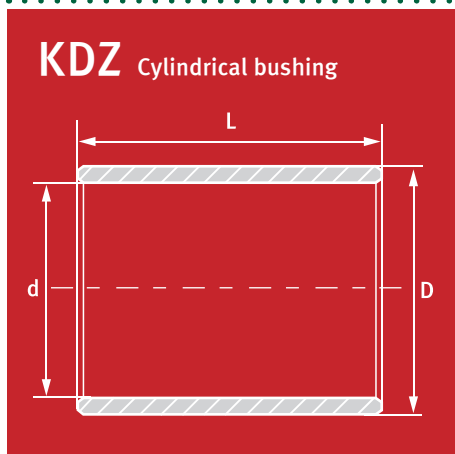
**We produce all special designs at short notice!**

- KDZ Cylindrical bushing
- KDB Flanged bushing
- KDA Thrust washer
- KDS Strips

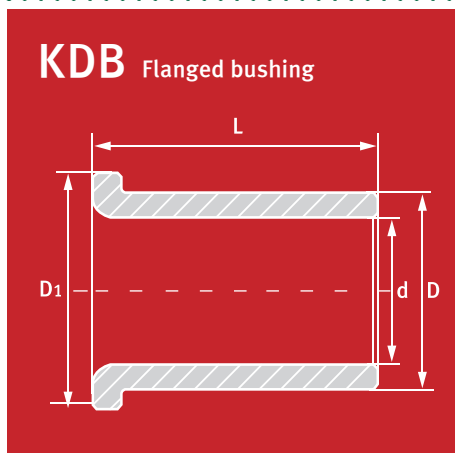
\* On request further materials are available for higher demands, e.g. for higher temperature ranges.

\*\* The above stated material properties are valid for optimal operating conditions. Through changes of the application conditions e.g. higher sliding speed or strain, these values are subject to changes.

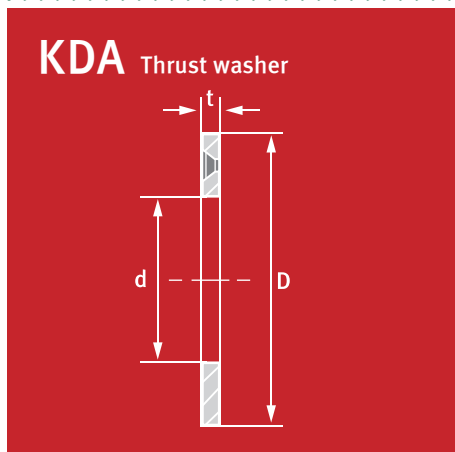
**Cylindrical and flanged bushings are standard fabrication. All special designs are available at short notice!**



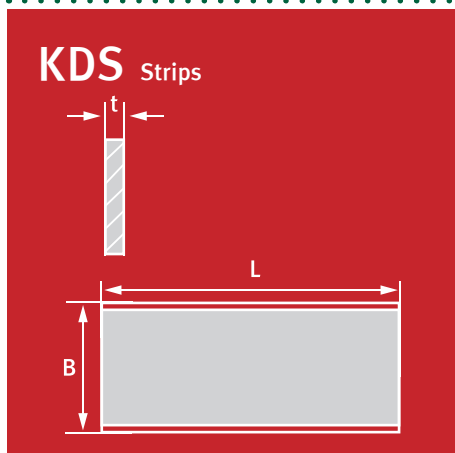
KD	Z	50	65	70
Type (COM-KU®/D)	Geometry (Cylindrical bushing)	Inner diameter 50 mm (d)	Outer diameter 65 mm (D)	Length 70 mm (L)



KD	B	50	65	70
Type (COM-KU®/D)	Geometry (Flanged bushing)	Inner diameter 50 mm (d)	Outer diameter 65 mm (D)	Length 70 mm (L)



KD	A	30	60	05
Type (COM-KU®/D)	Geometry (Thrust washer)	Inner diameter 30 mm (d)	Outer diameter 60 mm (D)	Thickness 5 mm (t)



KD	S	30	70	10
Type (COM-KU®/D)	Geometry (Strip)	Width 30 mm (B)	Length 70 mm (L)	Thickness 10 mm (t)

**All sizes and measurements are produced to customer's specification.**